



**GEARHEADS** Frame size 70mm sq. (2.76 in. sq.)

METAL TYPE & BALL BEARING TYPE

▶ **RATED TORQUE OF GEARHEAD**

MODEL	Synchronous Speed		500	300	200	120	100	60	50	30	20	15	10	9	
	Ratio	Speed	50Hz	3	5	7.5	12.5	15	25	30	50	75	100	150	166.7
<b>L7HK□M</b>	High	kg-cm	60Hz	3.6	6	9	15	18	30	36	60	90	120	180	200
	Low		2.7	4.5	6.7	11.1	13.4	20.1	24.1	36.3	50	50	50	50	
<b>L7HK□B</b>	High	N-m	2.7	0.26	0.44	0.65	1.09	1.31	1.97	2.36	3.56	4.90	4.90	4.90	4.90
	Low		1.3	0.13	0.22	0.33	0.55	0.65	0.98	1.18	1.78	2.67	3.56	4.90	4.90
	High	oz-in	37	62	93	155	186	279	335	504	694	694	694	694	
	Low		19	31	46	77	93	139	167	252	378	504	694	694	

- \* The normal torque is that the motor and gearhead are directly coupled.
- \* Insert the denominator of reduction ratio in □ of gearhead model name.
- \* Actual rotation speed is 2~15% less than synchronous speed.
- \* ■Color indicates that the rotation of gearhead shaft is in opposite direction as output shaft of motor.

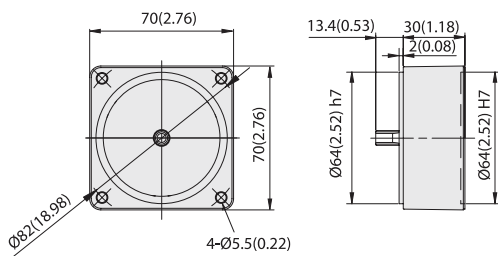
SPEED CONTROL  
REVERSIBLE MOTORS

**DIMENSIONS**

Unit : mm(inch)

**DECIMAL GEARHEAD**

**L7G10D**

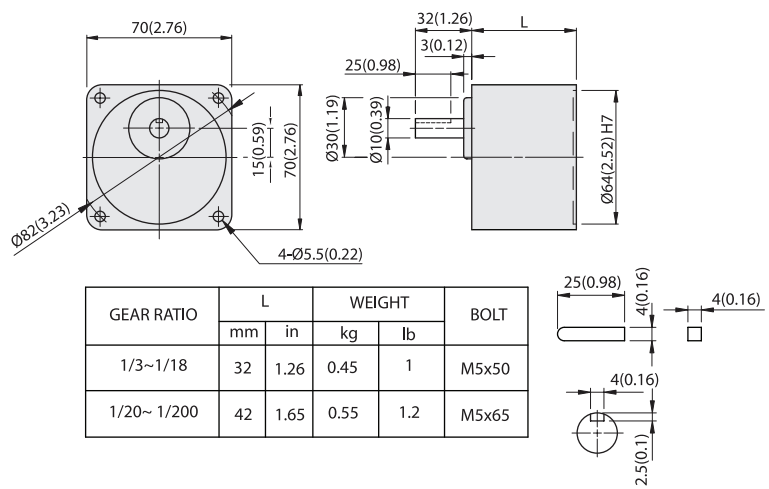


WEIGHT 0.3kg(0.66 lb)



**GEARHEAD**

**L7HK□M(B)**



GEAR RATIO	L		WEIGHT		BOLT
	mm	in	kg	lb	
1/3~1/18	32	1.26	0.45	1	M5x50
1/20~1/200	42	1.65	0.55	1.2	M5x65

KEY SIZE

**L7HK□M(B) + L7R15P□LT**

